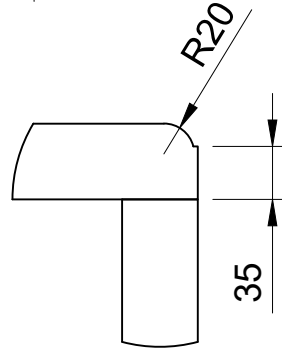
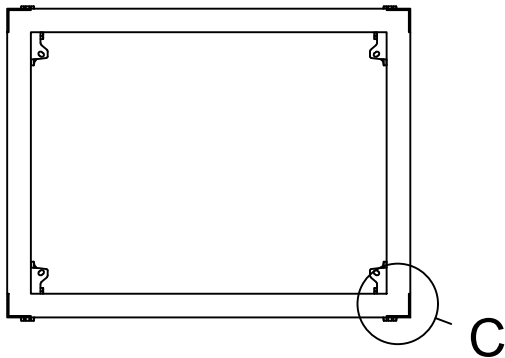


A (1:5)



B-B (1:16)



C (1:5)

